

NABHOLZ

COLORING BOOK

# SAFETY FIRST!

Your new multi-purpose building will be a fun and fantastic place to learn and gather. But you can't come in until it is finished!

Remember to always follow the safety rules and stay outside of the fence!

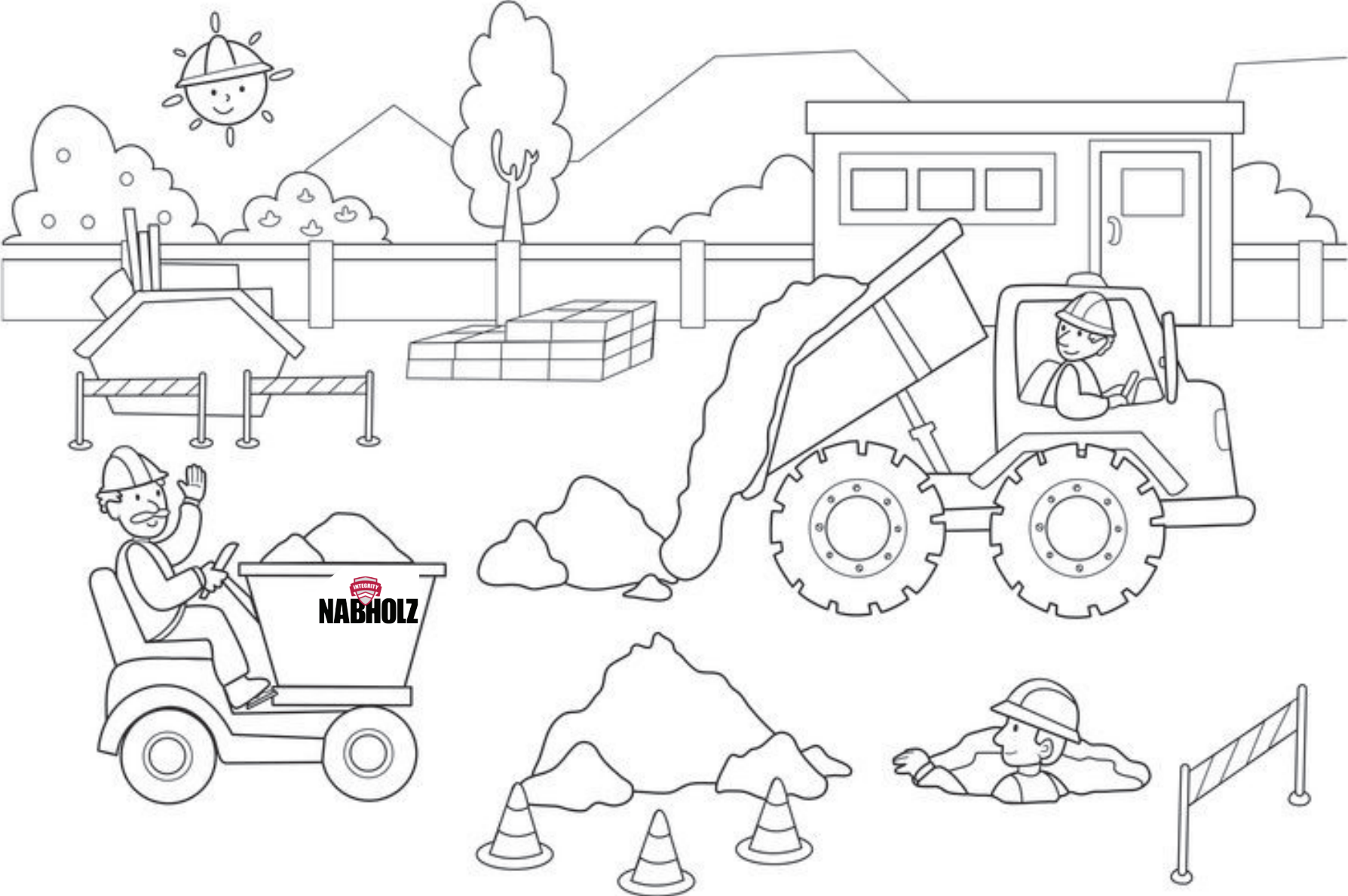


# 3 Rules on a Construction Site

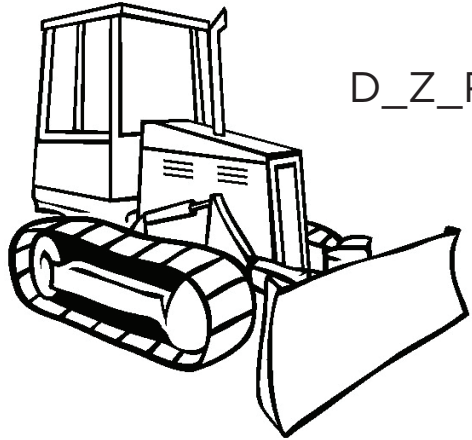


1. **NEVER** climb over, under, around, or through the fence.
2. If a ball or other object goes over the fence - **DO NOT GO** after it.
3. If anyone breaks the rules - **TELL A TEACHER** immediately.

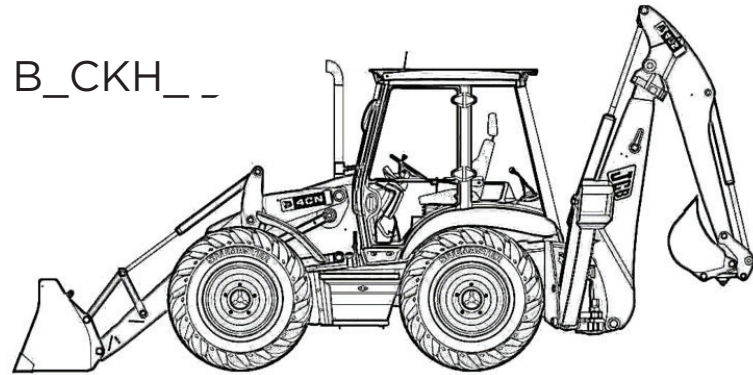
Watching is fun, from a safe distance.



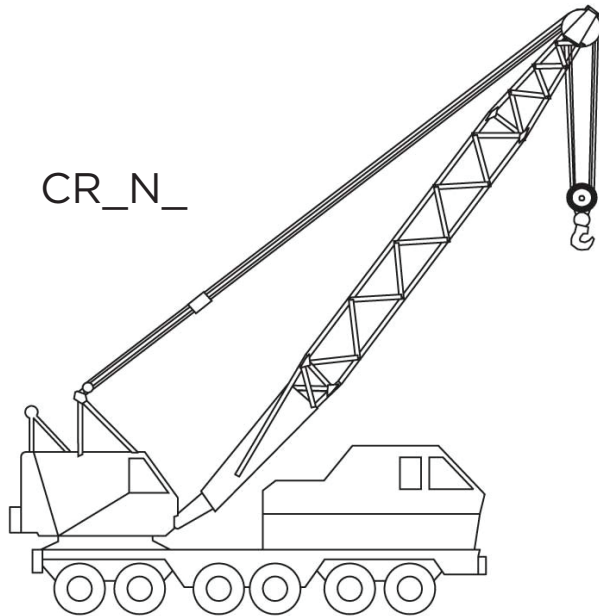
Fill in the vowels to name equipment.



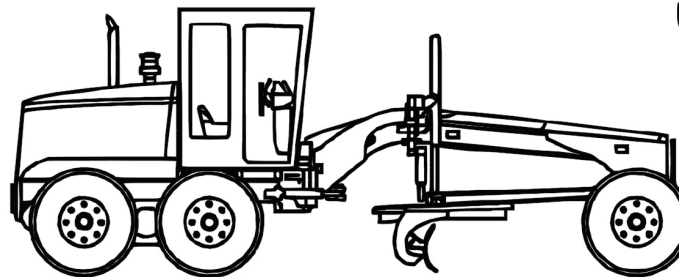
D\_Z\_R



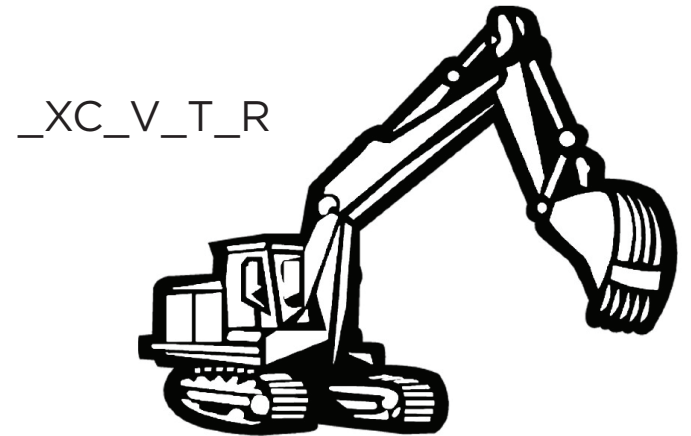
B\_CKH\_\_



CR\_N\_

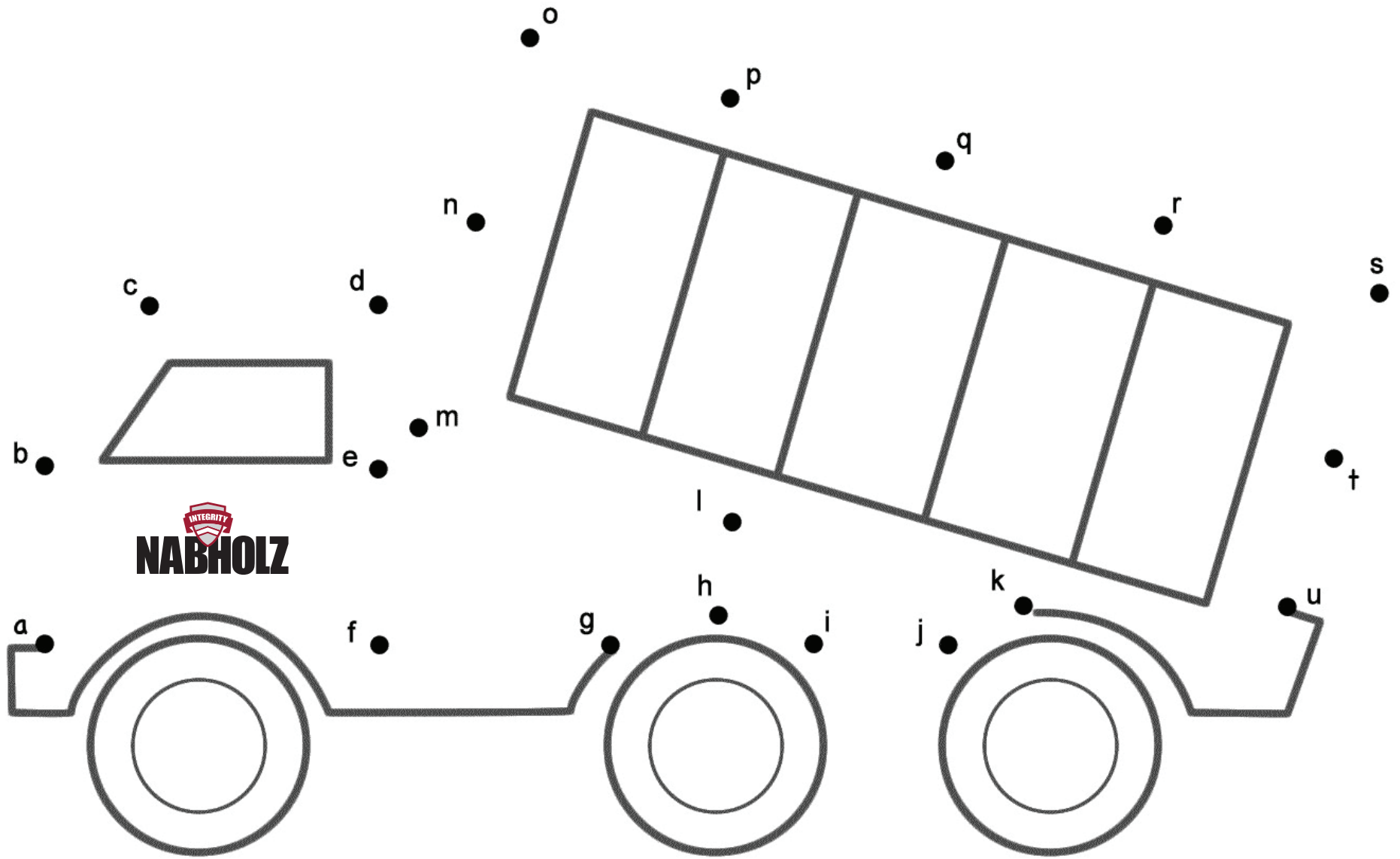


GR\_D\_R

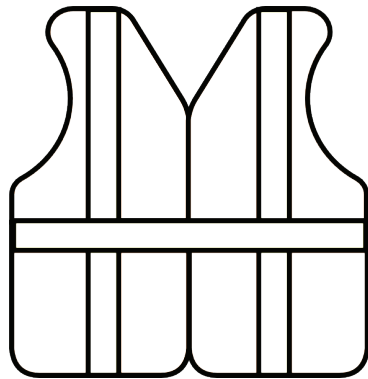


\_XC\_V\_T\_R

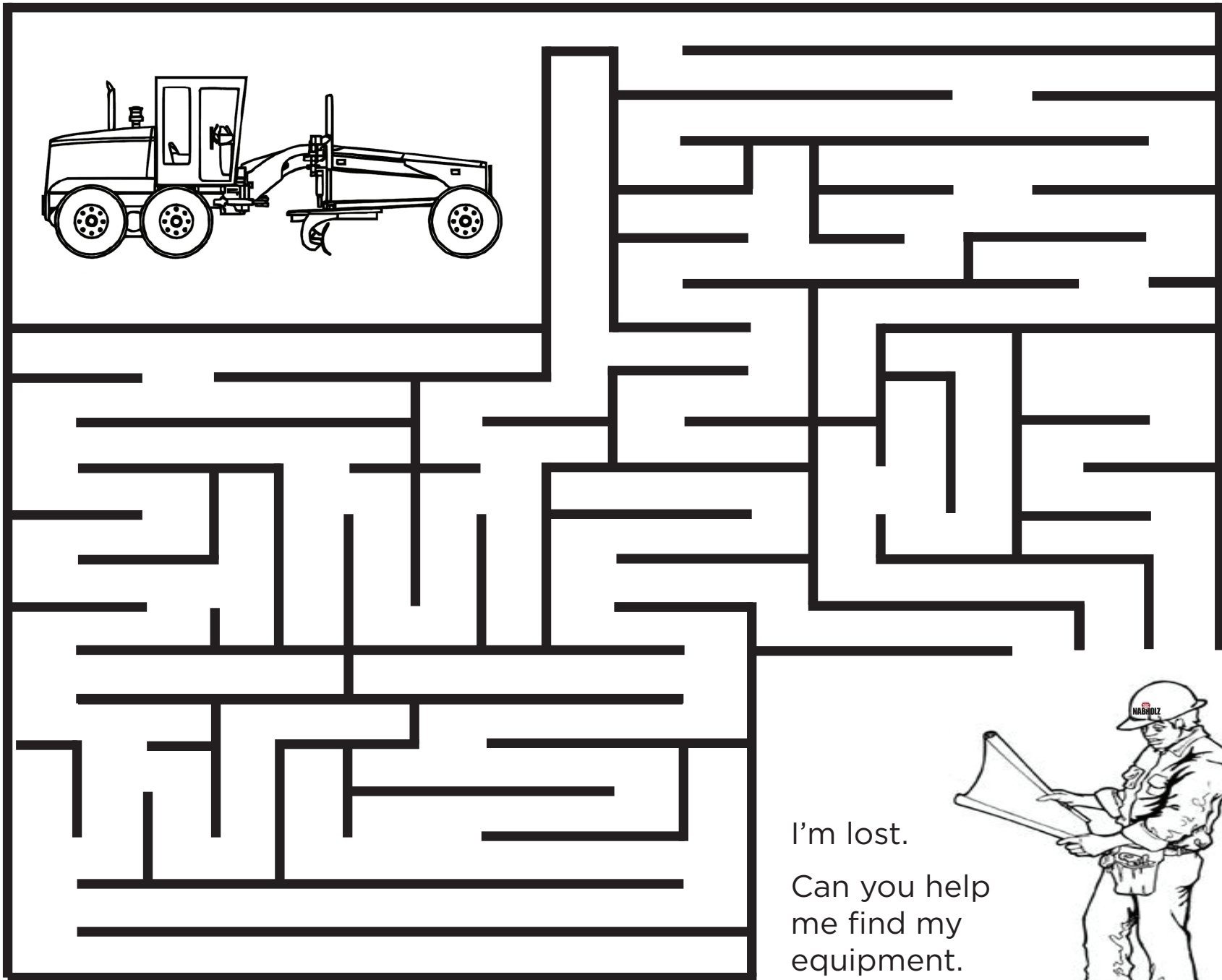
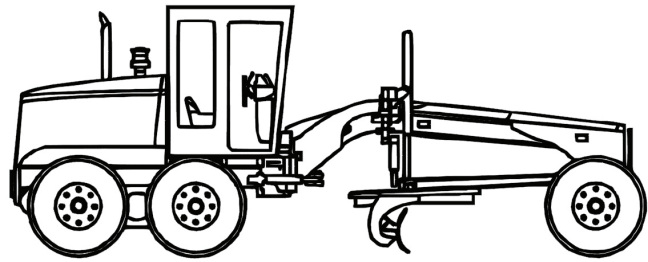




Connect the Dots



Draw a line from each safety gear item to the correct place on the construction worker. Let's keep him safe.



I'm lost.  
Can you help  
me find my  
equipment.





# Can you find...

Gloves

Hard hat

Screw driver

Saw

Paint bucket

Measuring tape

Safety glasses

Shovel

Paint roller

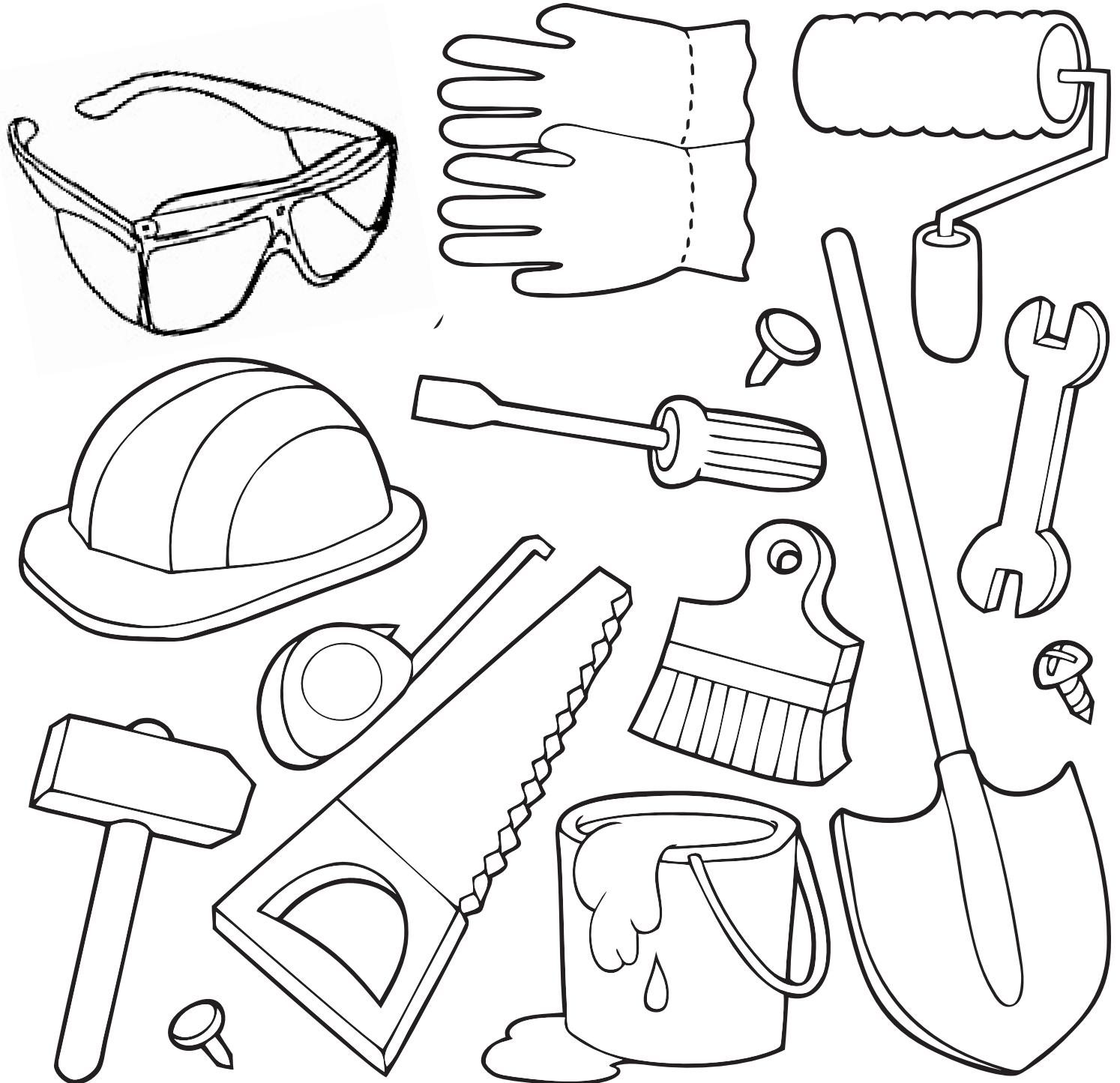
Hammer

Wrench

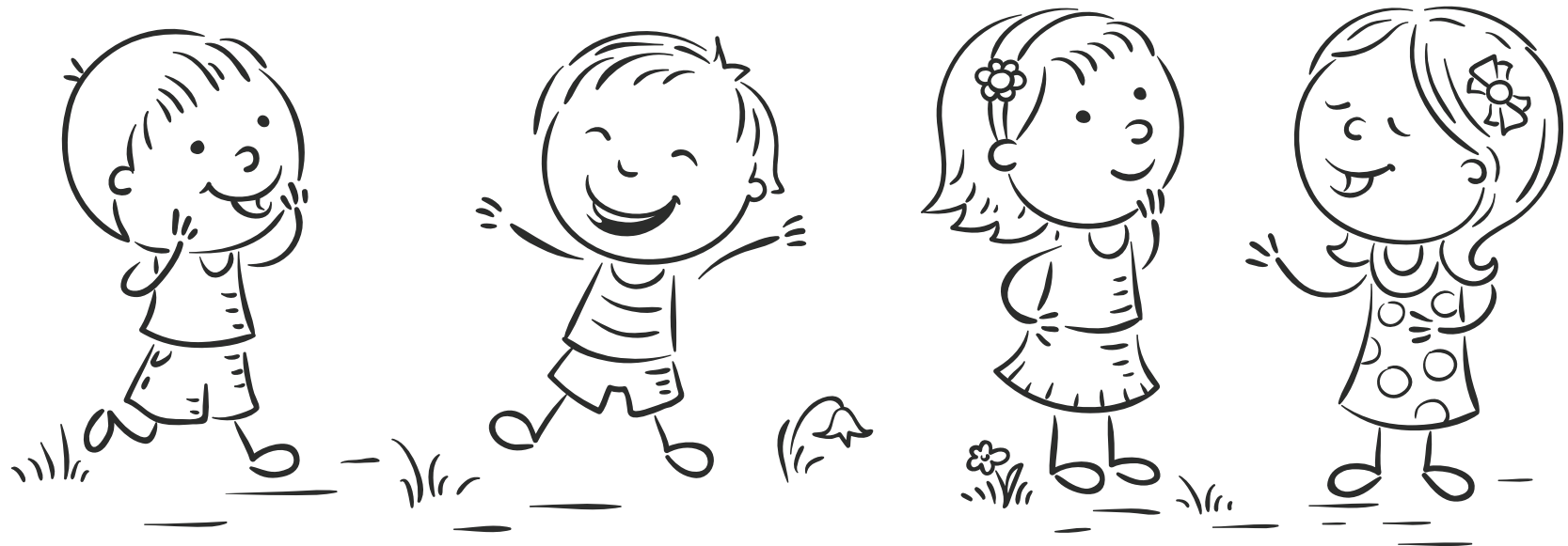
Paint brush

Nails

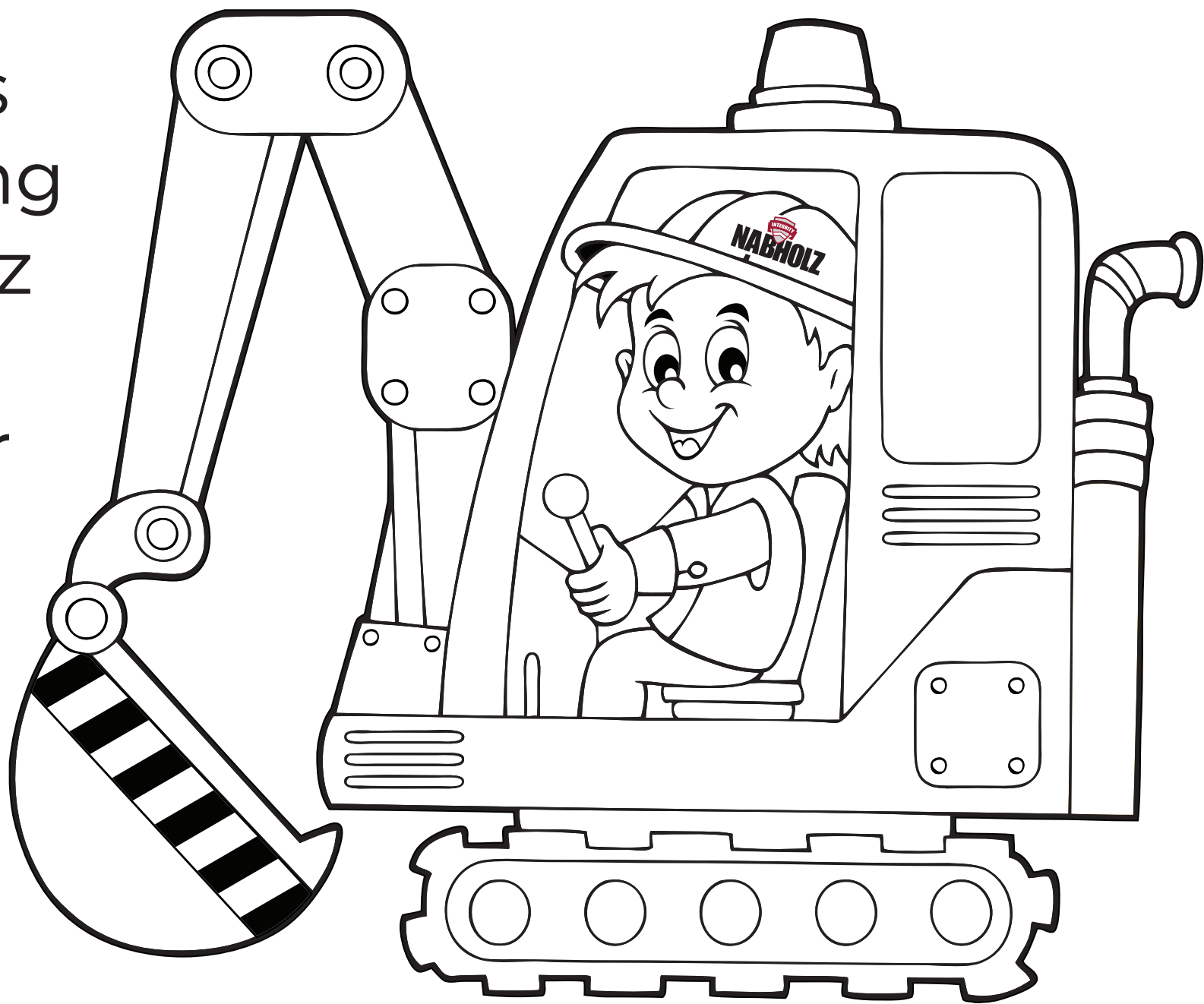
Screw



We hope you  
like what we  
built for you!



Thanks  
for letting  
Nabholz  
build  
at your  
school





Use the color key to complete the Nabholz logo.

1=Black

2=Red

3=Gray

4=White